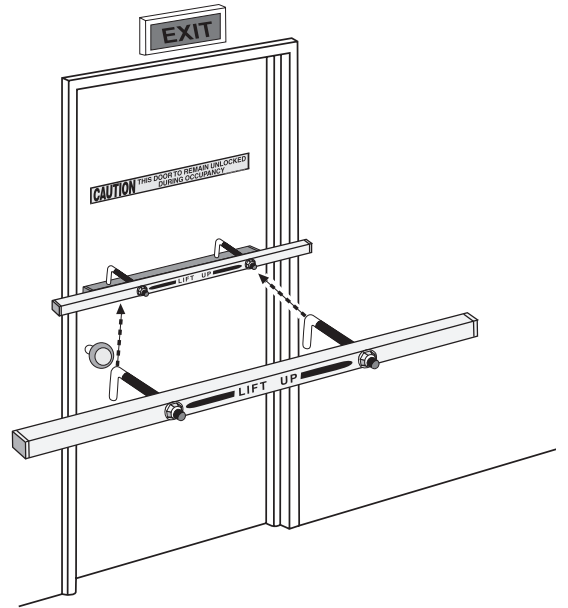
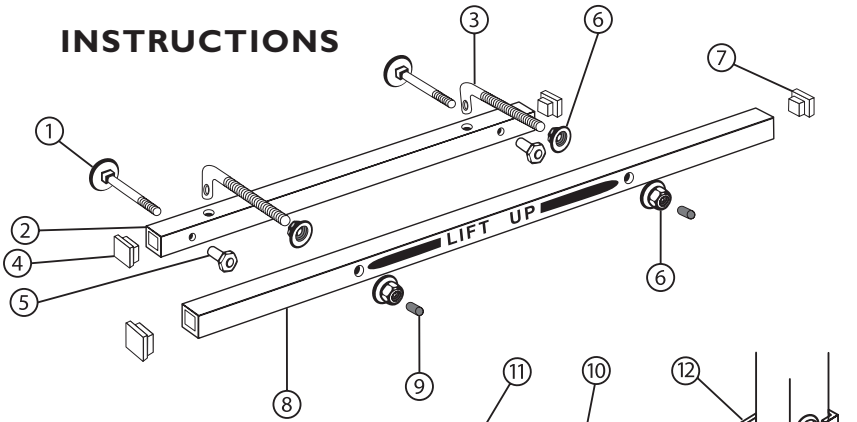




FORT WORTH, TEXAS 1-800-446-6775

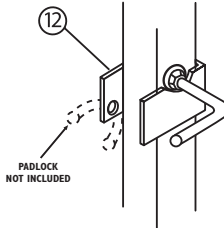
Model No. SB-01-0036 For 3'- 0" Door
 Model No. SB-01-0042 For 3'- 6" Door
 Model No. SB-01-0048 For 4'- 0" Door

INSTRUCTIONS

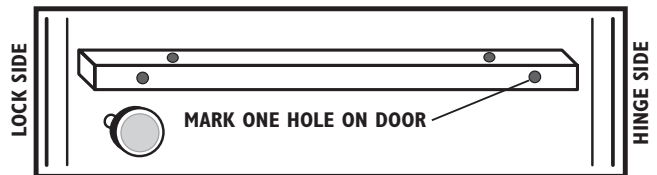


CAUTION THIS DOOR TO REMAIN UNLOCKED DURING OCCUPANCY

ITEM#	QTY.	DESCRIPTION
1	2	5/16" Elevator Bolt
2	1	1" Square Tubing
3	2	1/2" "L" Bolt
4	2	1" End Cap
5	2	5/16" Step Nut
6	4	1/2" Flange Nut
7	2	1 1/4" End Cap
8	1	1 1/4" Square Tubing
9	2	1/2" Red End Cap
10	1	Steel Grip (See Step 6)
11	1	Caution Decal Sign
12	1	Storage Bracket

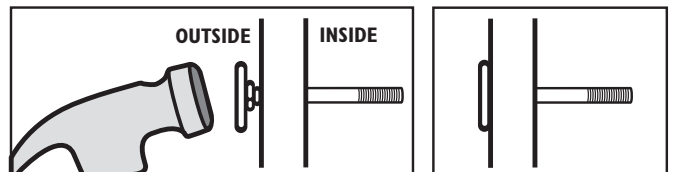


1 Hold the 1" bar in place on door. Keep bar centered from side to side. Mark one hole only, **HINGE SIDE**. Use a center punch before drilling.

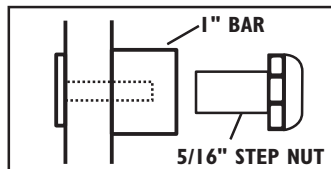


2 Drilling procedure: Use a 5/16" bit for drilling door. Drill one hole completely through the door, keeping in mind to **DRILL AS SQUARE TO THE DOOR AS POSSIBLE**.

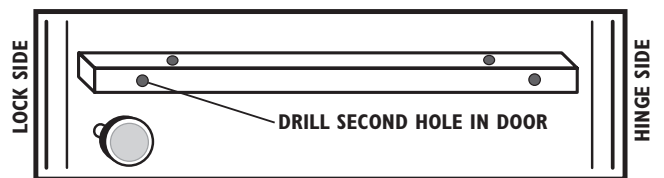
3 Install one elevator bolt in the door. Note, there is a square shank next to the head. This square area will not let the bolt go completely into place. Strike the head of the bolt two or three times to penetrate door so head of bolt will be flush with the outside of the door.



4 Install the 1" bar on door using one bolt and one nut.



5 Drill the second hole completely through the door by placing the drill bit **THROUGH** the 1" bar. Install the second elevator bolt and nut. Repeat steps 3 and 4.



6 Installation of 1 1/4" bar assembly:

Place L bolts & flange nuts together with 1 1/4" bar. See A, B & C. Remove the 1 1/4" bar assembly and replace it several times, adjusting the two nuts as necessary to make a perfect fit. Tighten both nuts firmly. Remove 1 1/4" bar. Only after final tightening should you apply 2 drops of Steel Grip at each point as shown in drawing "D". Steel Grip has a wicking characteristic, therefore do not loosen nuts. And last, install 1/2" red caps on end of bolts.

