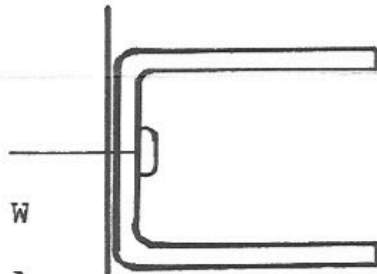


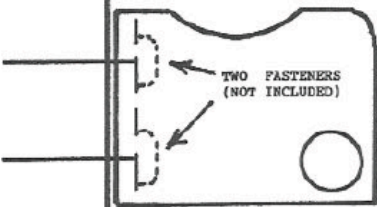
# STORING BRACKET

SB-P1-SB01



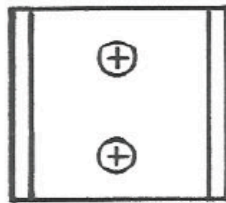
TOP VIEW

W  
A  
L  
L



FRONT VIEW

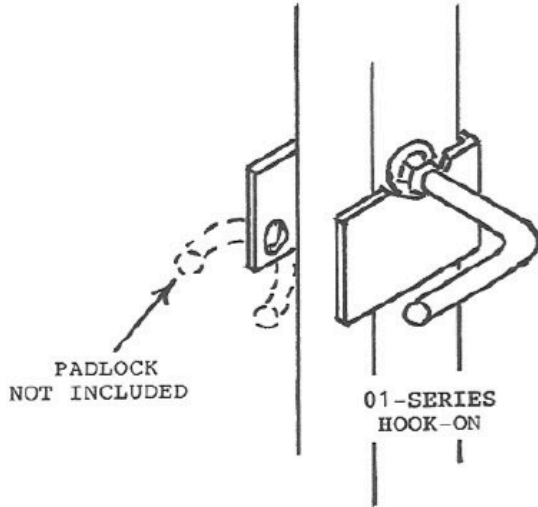
TWO FASTENERS  
(NOT INCLUDED)



SIDE VIEW

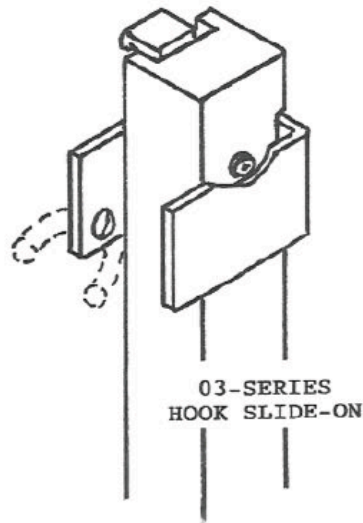
Storing Bracket can be convenient and safe to store your Security Bar when it's not in use. You have the option to padlock the Security Bar to the bracket, thus keeping uninformed persons from misusing. (Padlock not included)

**INSTRUCTIONS:** Find out what type of wall construction bracket is to be fastened. Depending on wall construction, fasten Storing Bracket to wall with lag screws or lag screws w/ lead shields or toggle bolts or drywall screws or molley bolts or metal screws.



01-SERIES  
HOOK-ON

HOW  
TO  
USE



03-SERIES  
HOOK SLIDE-ON