

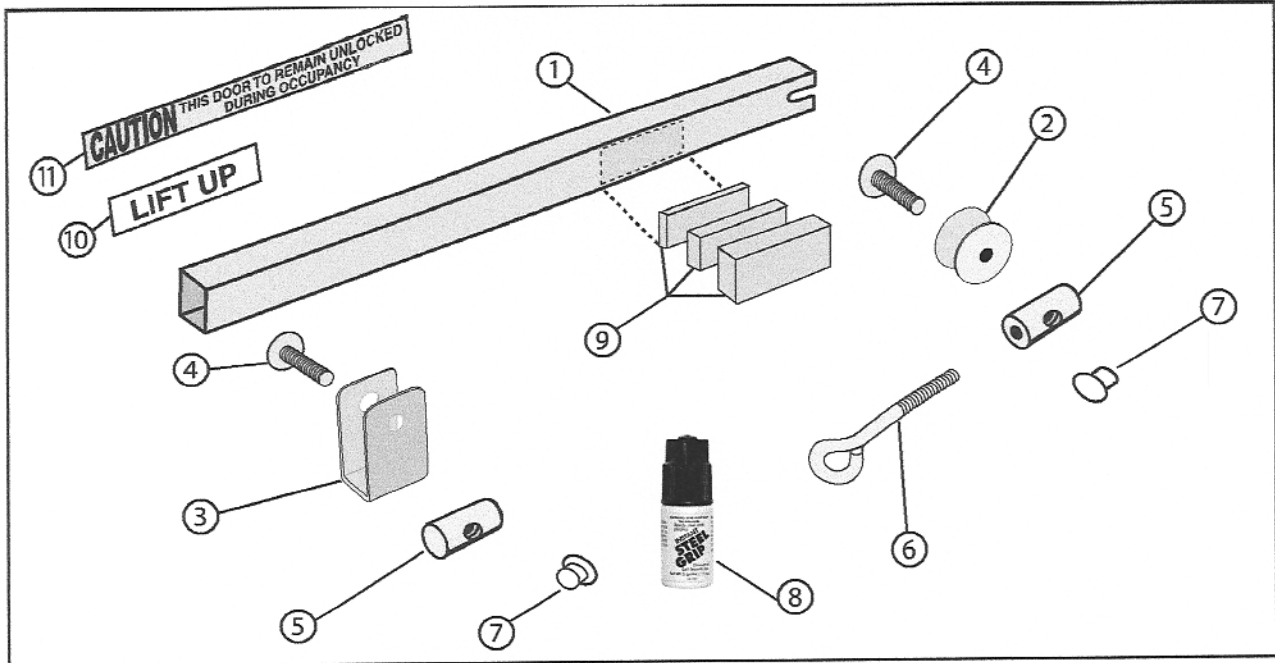
(Hollow Metal Frame)



FORT WORTH, TEXAS 1-800-446-6775

# Inswing Bar Installation Model - SB-03-UV48 For Single Door Use Up To 48"

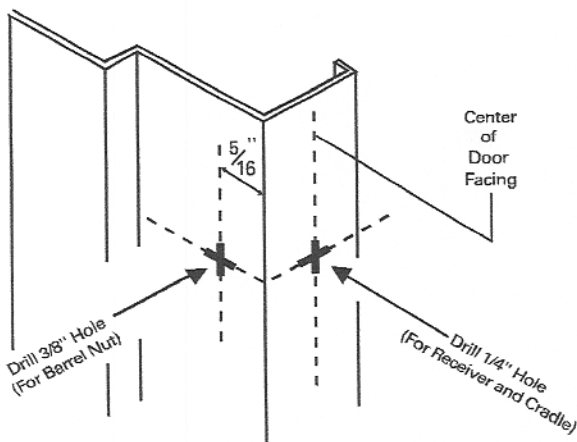
## ASSEMBLY INSTRUCTIONS



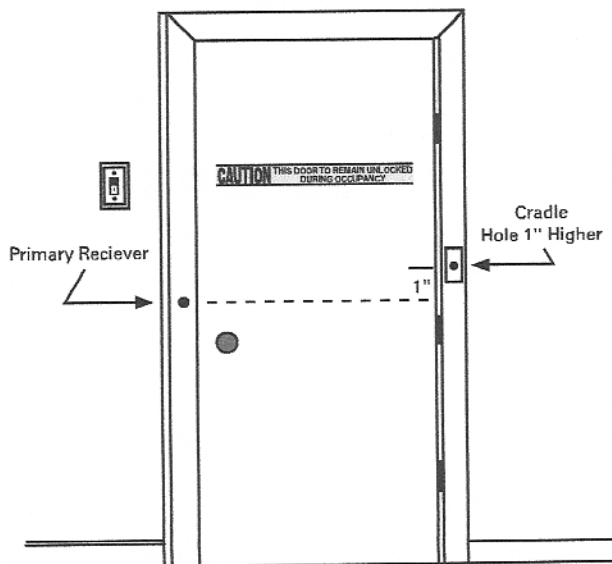
ITEM#	QTY.	DESCRIPTION
1	1	1-1/4" Security Bar
2	1	Primary Locking Receiver
3	1	Locking Cradle
4	2	Flat Heat Bolt
5	2	Barrel Nut
6	1	Placement Tool

ITEM#	QTY.	DESCRIPTION
7	2	Plastic Hole Plug
8	1	Steel Grip
9	1	Rubber Shock Absorber (Set of 3)
10	1	"Lift Up" Decal
11	1	"Caution" Decal Sign

- 1** Install primary receiver on Door Lock Side. Install cradle on Door Hinged Side 1" higher than receiver hole. (See installation procedure)
- 2** Slide slotted end of bar into primary receiver and hold tight against receiver as you drop bar into cradle. Pointed alignment post will make a mark on bar.
- 3** Drill a 5/16" hole as marked by pointed alignment post. Bar should now drop down and fit into cradle.
- 4** Cut-off length of bar according to the situation. Install "Lift Up" decal on cradle end of bar.
- 5** Glue rubber shock absorbers to security bar (slotted end) according to space between security bar and door with Steel Grip. Install plastic hole plug into side of jamb and install Caution decal on door.



Typical Installation Procedure



Typical Door Knob and Hinges